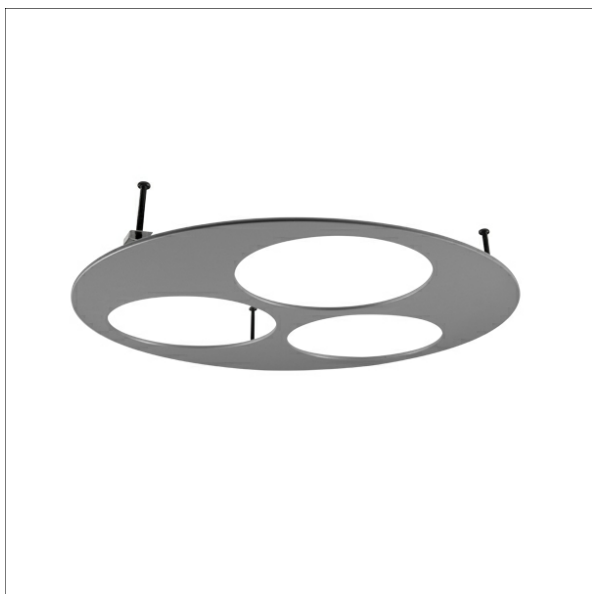


SCER 6.310



Beschreibung

- flexibles Einbaustrahlersystem bestehend aus Einbaurahmen, Lichtköpfen und Betriebsgeräten
- Einbaurahmen 3-flammig (rund) aus Stahlblech
- Lichtköpfe und Betriebsgeräte (falls erforderlich) separat bestellen
- werkzeugloser Deckeneinbau mit Schnellspannfedern (automatische Anpassung der Deckenstärke)

Hinweise

Einbautiefe abhängig vom gewählten Lichtkopf.

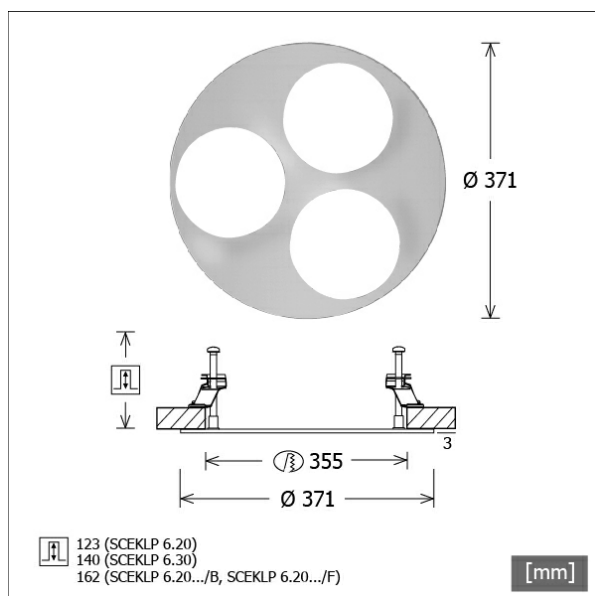
Sonderoptionen



Abmessungen / Gewichte

Außendurchmesser	371 mm
Höhe	109 mm
Deckenstärke	2.0 - 50.0 mm
Nettogewicht	1.40 kg
Bruttogewicht	1.88 kg

Farbe	Artikelnummer	EAN
silber	616251	4043544122476
weiß	620196	4043544157058
schwarz	645562	4043544518736



SCER 6.310

Lichteinsätze



Bezeichnung	Beschreibung
SCEKLP 6.2030.15	15°, 3000 K, 27.0 W , 2710 lm
SCEKLP 6.2030.15	15°, 3000 K, 27.0 W , 2710 lm
SCEKLP 6.2030.15/DALI	15°, 3000 K, 27.0 W , 2710 lm
SCEKLP 6.2030.15/DALI	15°, 3000 K, 27.0 W , 2710 lm
SCEKLP 6.2030.25	25°, 3000 K, 27.0 W , 2700 lm
SCEKLP 6.2030.25	25°, 3000 K, 27.0 W , 2700 lm
SCEKLP 6.2030.25/DALI	25°, 3000 K, 27.0 W , 2700 lm
SCEKLP 6.2030.25/DALI	25°, 3000 K, 27.0 W , 2700 lm
SCEKLP 6.2030.35	35°, 3000 K, 27.0 W , 2680 lm
SCEKLP 6.2030.35	35°, 3000 K, 27.0 W , 2680 lm
SCEKLP 6.2030.35/DALI	35°, 3000 K, 27.0 W , 2680 lm
SCEKLP 6.2030.35/DALI	35°, 3000 K, 27.0 W , 2680 lm
SCEKLP 6.2030.45	45°, 3000 K, 27.0 W , 2650 lm
SCEKLP 6.2030.45	45°, 3000 K, 27.0 W , 2650 lm
SCEKLP 6.2030.45/DALI	45°, 3000 K, 27.0 W , 2650 lm
SCEKLP 6.2030.45/DALI	45°, 3000 K, 27.0 W , 2650 lm
SCEKLP 6.2040.15	15°, 4000 K, 27.0 W , 2850 lm
SCEKLP 6.2040.15	15°, 4000 K, 27.0 W , 2850 lm
SCEKLP 6.2040.15/DALI	15°, 4000 K, 27.0 W , 2850 lm
SCEKLP 6.2040.15/DALI	15°, 4000 K, 27.0 W , 2850 lm
SCEKLP 6.2040.25	25°, 4000 K, 27.0 W , 2840 lm
SCEKLP 6.2040.25	25°, 4000 K, 27.0 W , 2840 lm
SCEKLP 6.2040.25/DALI	25°, 4000 K, 27.0 W , 2840 lm
SCEKLP 6.2040.25/DALI	25°, 4000 K, 27.0 W , 2840 lm
SCEKLP 6.2040.35	35°, 4000 K, 27.0 W , 2820 lm
SCEKLP 6.2040.35	35°, 4000 K, 27.0 W , 2820 lm
SCEKLP 6.2040.35/DALI	35°, 4000 K, 27.0 W , 2820 lm
SCEKLP 6.2040.35/DALI	35°, 4000 K, 27.0 W , 2820 lm
SCEKLP 6.2040.45	45°, 4000 K, 27.0 W , 2790 lm
SCEKLP 6.2040.45	45°, 4000 K, 27.0 W , 2790 lm
SCEKLP 6.2040.45/DALI	45°, 4000 K, 27.0 W , 2790 lm
SCEKLP 6.2040.45/DALI	45°, 4000 K, 27.0 W , 2790 lm
SCEKLP 6.3030.15	15°, 3000 K, 36.0 W , 3600 lm
SCEKLP 6.3030.15	15°, 3000 K, 36.0 W , 3600 lm
SCEKLP 6.3030.15/DALI	15°, 3000 K, 36.0 W , 3600 lm
SCEKLP 6.3030.15/DALI	15°, 3000 K, 36.0 W , 3600 lm
SCEKLP 6.3030.25	25°, 3000 K, 36.0 W , 3580 lm
SCEKLP 6.3030.25	25°, 3000 K, 36.0 W , 3580 lm

Bezeichnung	Beschreibung
SCEKLP 6.3030.25/DALI	25°, 3000 K, 36.0 W , 3580 lm
SCEKLP 6.3030.25/DALI	25°, 3000 K, 36.0 W , 3580 lm
SCEKLP 6.3030.35	35°, 3000 K, 36.0 W , 3560 lm
SCEKLP 6.3030.35	35°, 3000 K, 36.0 W , 3560 lm
SCEKLP 6.3030.35/DALI	35°, 3000 K, 36.0 W , 3560 lm
SCEKLP 6.3030.35/DALI	35°, 3000 K, 36.0 W , 3560 lm
SCEKLP 6.3030.45	45°, 3000 K, 36.0 W , 3530 lm
SCEKLP 6.3030.45	45°, 3000 K, 36.0 W , 3530 lm
SCEKLP 6.3030.45/DALI	45°, 3000 K, 36.0 W , 3530 lm
SCEKLP 6.3030.45/DALI	45°, 3000 K, 36.0 W , 3530 lm
SCEKLP 6.3040.15	15°, 4000 K, 36.0 W , 3780 lm
SCEKLP 6.3040.15	15°, 4000 K, 36.0 W , 3780 lm
SCEKLP 6.3040.15/DALI	15°, 4000 K, 36.0 W , 3780 lm
SCEKLP 6.3040.15/DALI	15°, 4000 K, 36.0 W , 3780 lm
SCEKLP 6.3040.25	25°, 4000 K, 36.0 W , 3760 lm
SCEKLP 6.3040.25	25°, 4000 K, 36.0 W , 3760 lm
SCEKLP 6.3040.25/DALI	25°, 4000 K, 36.0 W , 3760 lm
SCEKLP 6.3040.25/DALI	25°, 4000 K, 36.0 W , 3760 lm
SCEKLP 6.3040.35	35°, 4000 K, 36.0 W , 3740 lm
SCEKLP 6.3040.35	35°, 4000 K, 36.0 W , 3740 lm
SCEKLP 6.3040.35/DALI	35°, 4000 K, 36.0 W , 3740 lm
SCEKLP 6.3040.35/DALI	35°, 4000 K, 36.0 W , 3740 lm
SCEKLP 6.3040.45	45°, 4000 K, 36.0 W , 3710 lm
SCEKLP 6.3040.45	45°, 4000 K, 36.0 W , 3710 lm
SCEKLP 6.3040.45/DALI	45°, 4000 K, 36.0 W , 3710 lm
SCEKLP 6.3040.45/DALI	45°, 4000 K, 36.0 W , 3710 lm
SCEKLP 6.20.25/B	25°, 2700 K, 42.0 W , 4200 lm
SCEKLP 6.20.25/B	25°, 2700 K, 42.0 W , 4200 lm
SCEKLP 6.20.35/B	35°, 2700 K, 42.0 W , 4010 lm
SCEKLP 6.20.35/B	35°, 2700 K, 42.0 W , 4010 lm
SCEKLP 6.20.45/B	45°, 2700 K, 42.0 W , 3970 lm
SCEKLP 6.20.45/B	45°, 2700 K, 42.0 W , 3970 lm
SCEKLP 6.20.25/F	25°, 3000 K, 44.0 W , 2260 lm
SCEKLP 6.20.25/F	25°, 3000 K, 44.0 W , 2260 lm
SCEKLP 6.20.35/F	35°, 3000 K, 44.0 W , 2160 lm
SCEKLP 6.20.35/F	35°, 3000 K, 44.0 W , 2160 lm
SCEKLP 6.20.45/F	45°, 3000 K, 44.0 W , 2090 lm
SCEKLP 6.20.45/F	45°, 3000 K, 44.0 W , 2090 lm